



Name _____

5th Grade Homework (Math) Remote Learning Packet

Weeks 27 - 28



Dear Educator,

My signature is proof that I have reviewed my scholar's work and supported him to the best of my ability to complete all assignments.

(Parent Signature)

(Date)

Parents please note that all academic packets are also available on our website at www.brighterchoice.org under the heading "Remote Learning." All academic packet assignments are mandatory and must be completed by all scholars.

Name: _____ Week 27 Day 1-2 Date: _____

BCCS-Boys

Stanford MIT

Homework – Mod 4 End of Mod 4 SPA Review

Solve.

$$\frac{1}{3} \times \frac{5}{12}$$

$$\frac{2}{8} \text{ of } \frac{2}{4}$$

$$\frac{4}{9} \div 15$$

$$4 \div \frac{2}{5}$$

$$3.5 \times 0.7$$

$$4.2 \div 0.6$$

Name: _____ Week 27 Day 3 Date: _____

BCCS-Boys

Stanford MIT

Homework – Mod 5 Packet 1

Order of Operations

P E M D A S

Parenthesis ► Exponents ► Multiplication ► Division ► Addition ► Subtraction

$$4 \times 7 - 6 \div 3$$

P
E
M
D
A
S

$$2 + 63 \div 9$$

P
E
M
D
A
S

$$[10 - 18 \div 3] + 1$$

P
E
M
D
A
S

Name: _____ Week 27 Day 4 Date: _____

BCCS-Boys

Stanford MIT

Homework – Mod 5 Packet 2**Order of Operations****P E M D A S**

Parenthesis ► Exponents ► Multiplication ► Division ► Addition ► Subtraction

$40 + 5 - 7 \times 4$

P
E
M
D
A
S

$3(12 - 5) + 8 \times 4$

P
E
M
D
A
S

$48 - 24 \div 3 + 1$

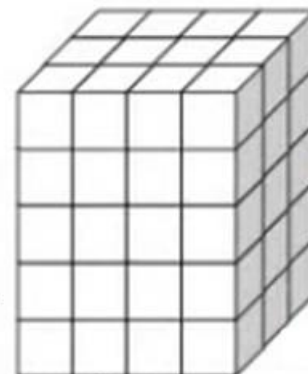
P
E
M
D
A
S

Name: _____ Week 27 Day 5 Date: _____

BCCS-Boys

Stanford MIT

Homework – Mod 5 Packet 3



1. Fill in the missing information.

Number of layers: _____

Number of cubes in each layer: _____

Volume: _____ cubic centimeters

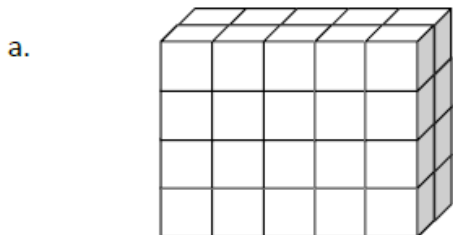
2. Anthony makes a prism 3 inches across and 2 inches wide. He then decides to create layers equal to his first one. Fill in the chart below, and explain how you know the volume of each new prism.

Number of layers	Formula	Volume
2		
3		
4		

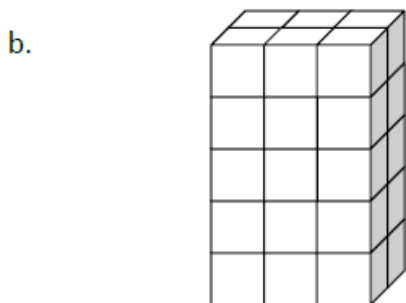
Name: _____ Week 28 Day 1 Date: _____
 BCCS-Boys Stanford MIT

Homework – Mod 5 Packet 4

1. Each rectangular prism is built from centimeter cubes. State the dimensions, and find the volume.

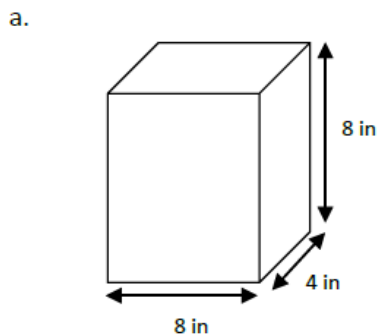


Length: _____ cm
 Width: _____ cm
 Height: _____ cm
 Volume: _____ cm³

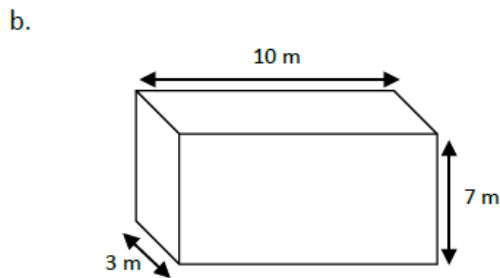


Length: _____ cm
 Width: _____ cm
 Height: _____ cm
 Volume: _____ cm³

2. Calculate the volume of each rectangular prism. Include the units in your number sentences.



Volume: _____



Volume: _____

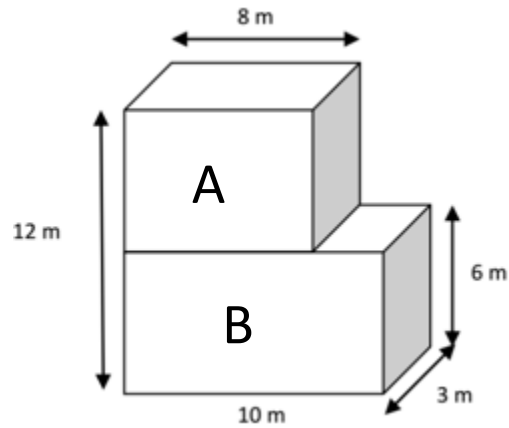
Name: _____ Week 28 Day 2 Date: _____

BCCS-Boys

Stanford MIT

Homework – Mod 5 Packet 5

Find the volume of the following solid figure.



A	B	A + B

Name: _____ Week 28 Day 3 Date: _____

BCCS-Boys

Stanford MIT

Homework – Mod 5 Packet 6

1. Karter keeps his favorite toys in a box that is 12 inches long, 8 inches wide, and 4 inches high. What is the volume of the box?

Answer _____ in³

2. The Scott family wants to fill up their swimming pool to the very top with water. The length of the pool is 50 meters and the width is 25 meters. The pool is 10 meters deep. How much water will the pool hold?

Answer _____ m³

Name: _____ Week 28 Day 4 Date: _____

BCCS-Boys

Stanford MIT

Homework – Mod 5 Packet 7

1. Mrs. Clute's bedroom closet has a base of 6 square meters and a height of 8 meters. What is the volume of her closet?

Volume: _____ m³

2. A storage shed is a rectangular prism and has dimensions of 6 meters by 5 meters by 12 meters. What is the volume of the storage shed?

Volume: _____ m³